

Type: ARC-MS

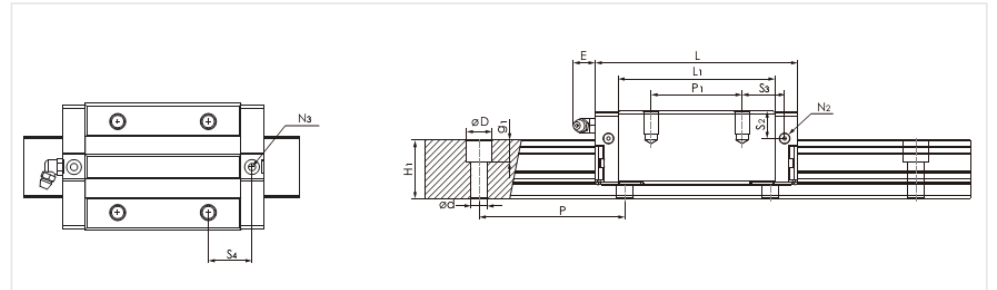
| Type | Dim. in mm | | Schiene Abmessungen Rail dimension in mm | | | | Führungswagen Abmessungen / Block Dimensions in mm | | | | | | | | |
|-----------|------------|------|---|----|----|-------------|--|------|------|------|----|----|--------|----|----|
| | H | W2 | W1 | H1 | P | Dxdxg1 | W | L | L1 | h2 | P1 | P2 | M x g2 | M1 | T |
| ARC 15 MS | 24 | 9,5 | 15 | 15 | 60 | 7,5x4,5x5,3 | 34 | 40,4 | 26 | 20,7 | - | 26 | M4x7 | - | 6 |
| ARC 20 MS | 28 | 11 | 20 | 20 | 60 | 9,5x6x8,5 | 42 | 49,2 | 32,2 | 23 | - | 32 | M5x7 | - | 8 |
| ARC 25 MS | 33 | 12,5 | 23 | 23 | 60 | 11x7x9 | 48 | 57,4 | 38,4 | 27 | - | 35 | M6x9 | - | 8 |
| ARC 30 MS | 42 | 16 | 28 | 27 | 80 | 14x9x12 | 60 | 68 | 44 | 35,2 | - | 40 | M8x10 | - | 12 |

Type: ARC-MN

| Type | Dim. in mm | | Schiene Abmessungen Rail dimension in mm | | | | Führungswagen Abmessungen / Block Dimensions in mm | | | | | | | | |
|-----------|------------|------|---|----|-----|-------------|--|-------|-------|------|----|----|--------|----|----|
| | H | W2 | W1 | H1 | P | Dxdxg1 | W | L | L1 | h2 | P1 | P2 | M x g2 | M1 | T |
| ARC 15 MN | 24 | 9,5 | 15 | 15 | 60 | 7,5x4,5x5,3 | 34 | 55,5 | 40,3 | 20,7 | 26 | 26 | M4x7 | - | 6 |
| ARC 20 MN | 28 | 11 | 20 | 20 | 60 | 9,5x6x8,5 | 42 | 69 | 52 | 23 | 32 | 32 | M5x7 | - | 8 |
| ARC 25 MN | 33 | 12,5 | 23 | 23 | 60 | 11x7x9 | 48 | 81,2 | 62,2 | 27 | 35 | 35 | M6x9 | - | 8 |
| ARC 30 MN | 42 | 16 | 28 | 27 | 80 | 14x9x12 | 60 | 95,5 | 71,5 | 35,2 | 40 | 40 | M8x10 | - | 12 |
| ARC 35 MN | 48 | 18 | 34 | 32 | 80 | 14x9x12 | 70 | 111,2 | 86,2 | 40,7 | 50 | 50 | M8x13 | - | 14 |
| ARC 45 MN | 60 | 20,5 | 45 | 39 | 105 | 20x14x17 | 86 | 135,5 | 102,5 | 50,7 | 60 | 60 | M10x20 | - | 14 |

Type: ARC-ML

| Type | Dim. in mm | | Schiene Abmessungen Rail dimension in mm | | | | Führungswagen Abmessungen / Block Dimensions in mm | | | | | | | | |
|-----------|------------|------|---|----|-----|----------|--|-------|-------|------|----|----|--------|----|----|
| | H | W2 | W1 | H1 | P | Dxdxg1 | W | L | L1 | h2 | P1 | P2 | M x g2 | M1 | T |
| ARC 30 ML | 42 | 16 | 28 | 27 | 80 | 14x9x12 | 60 | 118 | 94 | 35,2 | 60 | 40 | M8x10 | - | 12 |
| ARC 35 ML | 48 | 18 | 34 | 32 | 80 | 14x9x12 | 70 | 136,6 | 111,6 | 40,4 | 72 | 50 | M8x13 | - | 14 |
| ARC 45 ML | 60 | 20,5 | 45 | 39 | 105 | 20x14x17 | 86 | 171,5 | 138,5 | 50,7 | 80 | 60 | M10x20 | - | 14 |



Type: ARC-MS

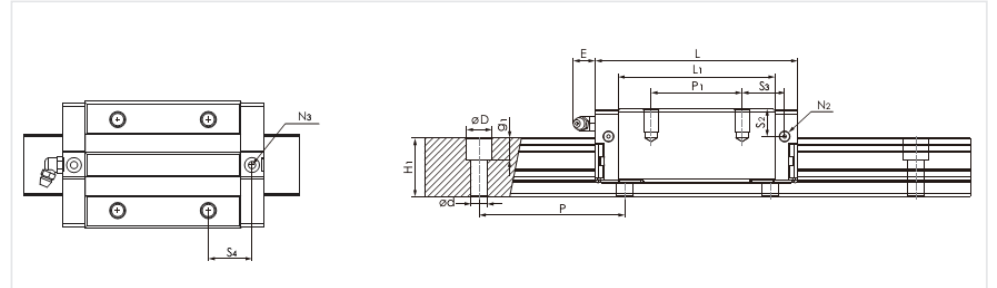
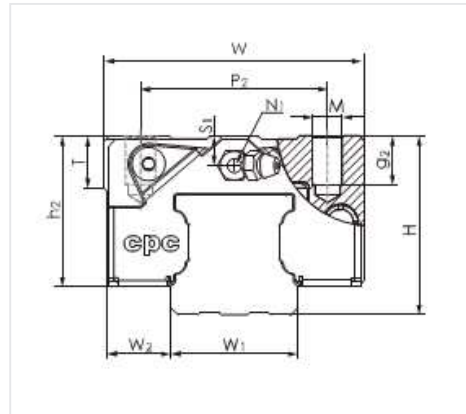
| Führungswagen Abmessungen / Block Dimensions in mm | | | | | | | | Tragzahlen Load cap. kN | | Statische Momente Moments in Nm | | | Gewicht / Weight | | Modell |
|--|--------|----|-----|-----|-----|------|------|----------------------------|------|------------------------------------|-----|-----|------------------|---------------|-----------|
| N1 | N2 | N3 | E | S1 | S2 | S3 | S4 | C | C0 | Mr0 | Mp0 | My0 | Wagen (g) | Schiene (g/m) | Type |
| M3x6,5 | M3x6 | P3 | 3,5 | 4,5 | 7,5 | 15,7 | 16,8 | 7,7 | 12,1 | 100 | 50 | 50 | 96 | 1290 | ARC 15 MS |
| M3x7,5 | M3x5,5 | P4 | 10 | 4 | 7,4 | 19,1 | 19,8 | 12,5 | 19,3 | 205 | 100 | 100 | 170 | 2280 | ARC 20 MS |
| M6x7,5 | M3x6,5 | P4 | 12 | 5 | 9,3 | 22,2 | 23,2 | 18,2 | 27,3 | 350 | 160 | 160 | 300 | 3020 | ARC 25 MS |
| M6x8,5 | M6x5 | P5 | 12 | 7,5 | 12 | 27 | 26,7 | 23,3 | 33,1 | 520 | 230 | 230 | 560 | 4380 | ARC 30 MS |

Type: ARC-MN

| Führungswagen Abmessungen / Block Dimensions in mm | | | | | | | | Tragzahlen Load cap. kN | | Statische Momente Moments in Nm | | | Gewicht / Weight | | Modell |
|--|---------|----|-----|------|------|------|------|----------------------------|-------|------------------------------------|------|------|------------------|---------------|-----------|
| N1 | N2 | N3 | E | S1 | S2 | S3 | S4 | C | C0 | Mr0 | Mp0 | My0 | Wagen (g) | Schiene (g/m) | Type |
| M3x6,5 | M3x6 | P3 | 3,5 | 4,5 | 7,5 | 9,8 | 10,9 | 9,9 | 17,5 | 140 | 105 | 105 | 142 | 1290 | ARC 15 MN |
| M3x7,5 | M3x5,5 | P4 | 10 | 4 | 7,4 | 13 | 13,7 | 17,1 | 30 | 325 | 230 | 230 | 266 | 2280 | ARC 20 MN |
| M6x7,5 | M3x6,5 | P4 | 12 | 5 | 9,3 | 16,6 | 17,6 | 24,8 | 42,5 | 540 | 385 | 385 | 420 | 3020 | ARC 25 MN |
| M6x8,5 | M6x5 | P5 | 12 | 7,5 | 12 | 20,8 | 20,5 | 32,8 | 53,7 | 845 | 565 | 565 | 800 | 4380 | ARC 30 MN |
| M6x10 | M6x7 | P5 | 12 | 8 | 15 | 23,4 | 24,1 | 45,9 | 82,9 | 1700 | 1080 | 1080 | 1120 | 6790 | ARC 35 MN |
| PT1/8x12,5 | M6x10,5 | P5 | 14 | 11,1 | 18,1 | 27,3 | 27,2 | 71,3 | 122,1 | 3200 | 1910 | 1910 | 2120 | 10530 | ARC 45 MN |

Type: ARC-ML

| Führungswagen Abmessungen / Block Dimensions in mm | | | | | | | | Tragzahlen Load cap. kN | | Statische Momente Moments in Nm | | | Gewicht / Weight | | Modell |
|--|---------|----|----|------|------|------|------|----------------------------|-------|------------------------------------|------|------|------------------|---------------|-----------|
| N1 | N2 | N3 | E | S1 | S2 | S3 | S4 | C | C0 | Mr0 | Mp0 | My0 | Wagen (g) | Schiene (g/m) | Type |
| M6x8,5 | M6x5 | P5 | 12 | 8,7 | 12 | 21,7 | 21,7 | 39,6 | 70,2 | 1105 | 950 | 950 | 1138 | 4380 | ARC 30 ML |
| M6x10 | M6x7 | P5 | 12 | 8 | 15 | 25,1 | 25,8 | 54,7 | 106,5 | 2185 | 1755 | 1755 | 1536 | 6790 | ARC 35 ML |
| PT1/8x12,5 | M6x10,5 | P5 | 14 | 11,1 | 18,1 | 35 | 35 | 89,5 | 169,1 | 4430 | 3460 | 3460 | 3160 | 10530 | ARC 45 ML |



Type: ARC-FS

| Abmessungen Dimensions (mm) | Dim. in mm | | Schiene Abmessungen Rail dimension in mm | | | | Führungswagen Abmessungen / Block Dimensions in mm | | | | | | | | |
|--------------------------------|---------------|------|---|----|----|-------------|--|------|------|------|----|----|--------|----|----|
| | H | W2 | W1 | H1 | P | Dxdxg1 | W | L | L1 | h2 | P1 | P2 | M x g2 | M1 | T |
| ARC 15 FS | 24 | 18,5 | 15 | 15 | 60 | 7,5x4,5x5,3 | 52 | 41,2 | 26 | 20,7 | - | 41 | M5x7 | M4 | 7 |
| ARC 20 FS | 28 | 19,5 | 20 | 20 | 60 | 9,5x6x8,5 | 59 | 49,2 | 32,2 | 23 | - | 49 | M6x10 | M5 | 10 |
| ARC 25 FS | 33 | 25 | 23 | 23 | 60 | 11x7x9 | 73 | 57,4 | 38,4 | 27 | - | 60 | M8x12 | M6 | 12 |
| ARC 30 FS | 42 | 31 | 28 | 27 | 80 | 14x9x12 | 90 | 68 | 44 | 35,2 | - | 72 | M10x15 | M8 | 15 |

Type: ARC-FS

| Führungswagen Abmessungen / Block Dimensions in mm | | | | | | | | Tragzahlen Load cap. kN | | Statische Momente Moments in Nm | | | Gewicht / Weight | | Modell |
|--|--------|----|-----|-----|-----|------|------|----------------------------|------|------------------------------------|-----|-----|------------------|---------------|-----------|
| N1 | N2 | N3 | E | S1 | S2 | S3 | S4 | C | C0 | Mr0 | Mp0 | My0 | Wagen (g) | Schiene (g/m) | Type |
| M3x6,5 | M3x6 | P3 | 3,5 | 4,5 | 7,5 | 15,7 | 16,8 | 7,7 | 12,1 | 100 | 50 | 50 | 122 | 1290 | ARC 15 FS |
| M3x7,5 | M3x5,5 | P4 | 10 | 4 | 7,4 | 19,1 | 19,8 | 12,5 | 19,3 | 205 | 100 | 100 | 210 | 2280 | ARC 20 FS |
| M6x7,5 | M3x6,5 | P4 | 12 | 5 | 9,3 | 22,2 | 23,2 | 18,2 | 27,3 | 350 | 160 | 160 | 345 | 3020 | ARC 25 FS |
| M6x8,5 | M6x5 | P5 | 12 | 7,5 | 12 | 27 | 26,8 | 23,3 | 33,1 | 520 | 230 | 230 | 750 | 4380 | ARC 30 FS |

Type: ARC-FN

| Abmessungen Dimensions (mm) | Dim. in mm | | Schiene Abmessungen Rail dimension in mm | | | | Führungswagen Abmessungen / Block Dimensions in mm | | | | | | | | |
|--------------------------------|---------------|------|---|----|----|-------------|--|-------|------|------|----|----|--------|----|----|
| | H | W2 | W1 | H1 | P | Dxdxg1 | W | L | L1 | h2 | P1 | P2 | M x g2 | M1 | T |
| ARC 15 FN | 24 | 18,5 | 15 | 15 | 60 | 7,5x4,5x5,3 | 52 | 55,5 | 40,3 | 20,7 | 26 | 41 | M5x7 | M4 | 7 |
| ARC 20 FN | 28 | 19,5 | 20 | 20 | 60 | 9,5x6x8,5 | 59 | 69 | 52 | 23 | 32 | 49 | M6x10 | M5 | 10 |
| ARC 25 FN | 33 | 25 | 23 | 23 | 60 | 11x7x9 | 73 | 81,2 | 62,2 | 27 | 35 | 60 | M8x12 | M6 | 12 |
| ARC 30 FN | 42 | 31 | 28 | 27 | 80 | 14x9x12 | 90 | 95,5 | 71,5 | 35,2 | 40 | 72 | M10x15 | M8 | 15 |
| ARC 35 FN | 48 | 33 | 34 | 32 | 80 | 14x9x12 | 100 | 111,2 | 86,2 | 40,4 | 50 | 82 | M10x15 | M8 | 15 |

Type: ARC-FN

| Führungswagen Abmessungen / Block Dimensions in mm | | | | | | | | Tragzahlen Load cap. kN | | Statische Momente Moments in Nm | | | Gewicht / Weight | | Modell |
|--|--------|----|-----|-----|-----|------|------|----------------------------|------|------------------------------------|------|------|------------------|---------------|-----------|
| N1 | N2 | N3 | E | S1 | S2 | S3 | S4 | C | C0 | Mr0 | Mp0 | My0 | Wagen (g) | Schiene (g/m) | Type |
| M3x6,5 | M3x6 | P3 | 3,5 | 4,5 | 7,5 | 8,9 | 10,9 | 9,9 | 17,5 | 140 | 105 | 105 | 184 | 1290 | ARC 15 FN |
| M3x7,5 | M3x5,5 | P4 | 10 | 4 | 7,4 | 13 | 13,7 | 17,1 | 30 | 325 | 230 | 230 | 336 | 2280 | ARC 20 FN |
| M6x7,5 | M3x6,5 | P4 | 12 | 5 | 9,3 | 16,6 | 17,6 | 24,8 | 42,5 | 540 | 385 | 385 | 524 | 3020 | ARC 25 FN |
| M6x8,5 | M6x5 | P5 | 12 | 7,5 | 12 | 20,8 | 20,5 | 32,8 | 53,7 | 845 | 565 | 565 | 1200 | 4380 | ARC 30 FN |
| M6x10 | M6x7 | P5 | 12 | 8 | 15 | 23,4 | 24,1 | 45,9 | 82,9 | 1700 | 1080 | 1080 | 1580 | 6790 | ARC 35 FN |